

ON Control CONNECTION BOX

Version 2



Description

The connection box is used to connect Belimo actuators (or similar) to 4-wire control and monitoring equipment, for example SUSAs, KSUB, KSUE, JK800, SEHA, SEHA-M2, etc. It is also easy to use the connection box to create so-called parallel connections. The box is available with or without a test button to operate dampers manually. Various aspects have been improved in version 2. “Parallel connections” are easier and there are now also spring-loaded terminals for the control unit.

General

- Easy connection of actuator to control and monitoring unit
- Pushbutton to test dampers
- Easy “parallel connection”
- Simplified troubleshooting of parallel connections
- Replaces the required connection point with a box between the actuator and the control and monitoring unit
- 4-wire cabling throughout
- Phoenix Contact spring-loaded terminals

Installation

Designed for wall installation.

Power supply

Designed for 24V.

Protection class

IP65.

Ambient temperature

$M_{\alpha\xi} +70^{\circ}X$, $\mu_{\nu} -30^{\circ}X$.

Dimensions

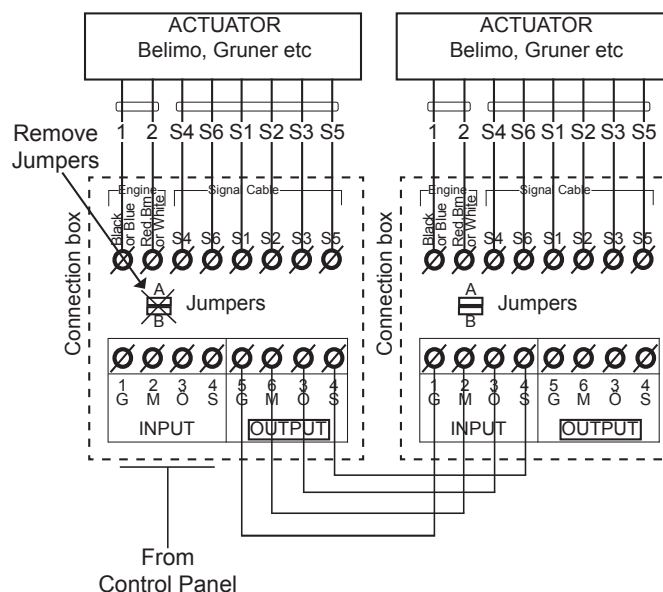
82*82*39 mm. (w*h*d)

Function of jumpers

The function of the jumpers is to connect the limit switches in the actuator to the next actuator in the context of “parallel connection”. The jumpers should therefore be removed from the first connection box. See the diagram below. If there are more than two parallel connections, the jumpers should only be present in the last connection box.

Troubleshooting – parallel connection

The jumpers can be used for easy troubleshooting if the control unit shows an indication error. Simply set the jumpers in the first box. If the indication is now OK, the last damper is the faulty one.



The diagram shows an example of a “parallel connection”.

Disposal of waste electrical and electronic equipment (applies to the EU and other European countries with a dedicated collection system)

If this symbol appears on the product or its packaging, the product must not be treated as household waste. Instead, it must be sent to a collection point that recycles electrical and electronic equipment. By making sure this product is correctly processed, you will help to prevent the negative impact on the environment and on human health that could result from inappropriate waste handling. Recycling helps to conserve natural resources. To find out more about recycling this product you can contact your local authority, your cleaning contractor or the dealer you purchased the product from.